

SONICA® 4300i

Special flush-mountable model



Product Code:	Serie:
090.012.0007	4300i ETH
090.012.0008	4300i EP

18 Litres

General characteristics

Ultrasonic Cleaning is a safe and efficient modern procedure, which ensures perfect cleaning within the shortest time possible. It has many advantages over ordinary cleaning methods.

Ultrasonics can remove even the most tenacious deposits from parts which would be difficult to reach by hand, it also reduces the risk of injury or infection which may occur during manual cleaning.

SONICA® 4300i

18 Litres

REV. 0 10-2010

Technical Data

Technical specification subject to change.

Main line voltage	230/240 V~50/60Hz
Main input power/consumption	300 W
Main input power with heating	800 W
Peak HF ultrasound power	600 W
US fequency	40 khz ± 5%
Liquid drain	1/2"
Transducers	4
Tank capacity	18
Weight (Kg)	11,6
Installation category	Class II according to EN 61010
Environmental conditions	Temperature Rel. Hum. 80% up to 31°C with linear decrease up to 50% at 40°C

Tank Dimensions

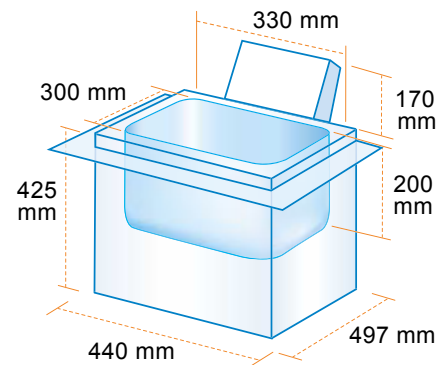
Length	330 mm
Breadth	300 mm
Depth	200 mm

External Dimensions

Length	440 mm
Breadth	497 mm
Height	595 mm

Constructive Materials

Housing	Steel AISI 304
Tank	Steel AISI 304



Notes for use as "Medical Devices":

Denomination: Ultrasonic Cleaning Device
UMDNS-nomenclature (ECRI) 14-263

Field of application: cleaning and disinfection of surgical and dental instruments

Classification (Medical Devices Directive 93/42/EEC, appendix IX):

Class I, Non Active MD, Non Invasive MD, Non Implantable MD

CE 2004/108/EC EMC Directive (EN 61326)
2006/95/EC LV Directive (EN 61010-1)
2007/47/EC Medical Device Directive

Available series

ETH



Serie ETH Cleaning times and temperatures controlled electronically by a microprocessor. Waterproof control panel and **Sweep System** generator.

EP



Serie EP The most technologically advanced of the SONICA range: **Sweep System** generator; modern digital display control panel windows; degas time setting; cleaning times from 0 to 99 minutes; tank liquid temperature setting up to 70°C; memory for 9 cleaning programmes; jet program function to start quickly and easily cleaning cycle.