

# SONICA® 130L EP



Product Code: Serie:  
090.003.0045 130L EP

**130 Litres**

## General characteristics

Ultrasonic Cleaning is a safe and efficient modern procedure, which ensures perfect cleaning within the shortest time possible. It has many advantages over ordinary cleaning methods.

Ultrasonics can remove even the most tenacious deposits from parts which would be difficult to reach by hand, it also reduces the risk of injury or infection which may occur during manual cleaning.

# SONICA® 130L EP

## 130 Litres

### Technical Data

Technical specification subject to change.

Main line voltage	230/240 V~50/60Hz
Main input power/consumption	1200 W
Main input power with heating	3600 W
Peak HF ultrasound power	2400 W
US frequency	40 khz ± 5%
Liquid drain	3/4"
Transducers	( 15 tank bottom / 21 rear side ) 36
Tank capacity	130
Weight (Kg)	80
Installation category	Class II according to EN 61010
Environmental conditions	Temperature Rel. Hum. 80% up to 31°C with linear decrease up to 50% at 40°C

### Tank Dimensions

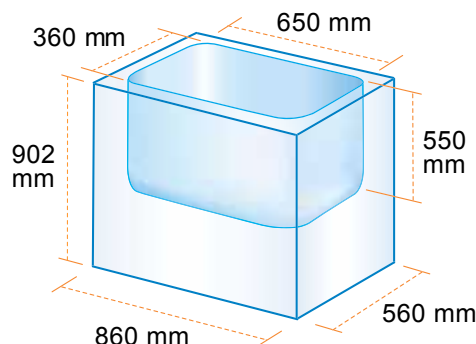
Length	650 mm
Breadth	360 mm
Depth	670 mm

### External Dimensions

Length	860 mm
Breadth	560 mm
Height	902 mm

### Constructive Materials

Housing	Steel AISI 304
Tank	Steel AISI 316Ti 20/10



**CE** EEMC 89/336/CEE (EN 55011B)  
LV 73/23/CEE (EN 61010-1)

### Available series

#### EP



**Serie EP** The most technologically advanced of the SONICA range: **Sweep System** generator; modern digital display control panel windows; degas time setting; cleaning times from 0 to 99 minutes; tank liquid temperature setting up to 70°C; memory for 9 cleaning programmes; jet program function to start quickly and easily cleaning cycle.